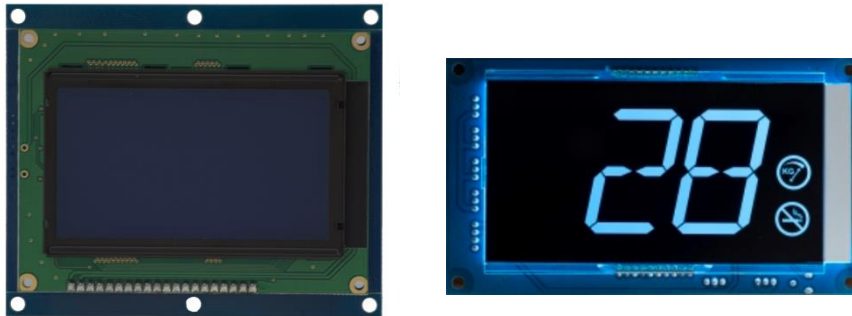
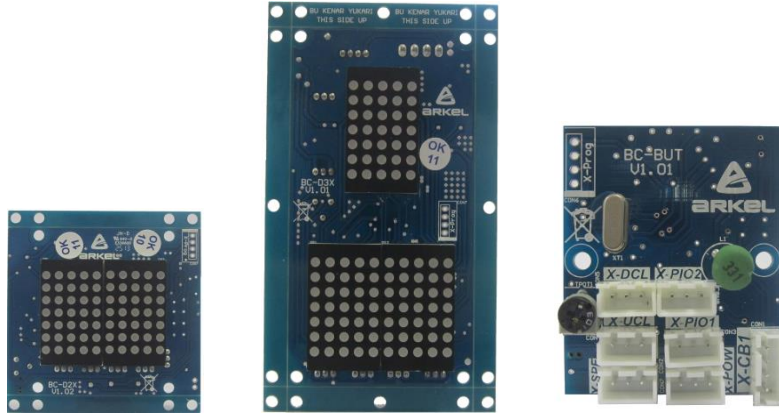


# BC-D2X, BC-D3X, BC-BUT, BC-LCDA, BC-LCD10555



## HARDWARE MANUAL

## 1. Technical Features

General		
Dimensions Width × Height × Length (mm) (Minimum module dimensions)	BC-D2X	73 × 77 × 17 (73 x 64 x 17)
	BC-D3X	75 x 131 x 17 (60 x 115 x 17)
	BC-BUT	40 x 50 x 12
	BC-LCDA	113 x 83 x 22 (100 x 70 x 22)
	BC-LCD10555	135 x 77 x 17
Visible Area Length × Width (mm)	BC-D2X	46 x 30 (2 digit 30mm display)
	BC-D3X	23 x 30 (1 digit 30mm display) 46 x 30 (2 digit 30mm display)
	BC-BUT	Without display
	BC-LCDA	72 x 40 (Blue-White)
	BC-LCD10555	105 x 55 (Red-Green-Blue-White-Yellow-Orange-Turquoise-Purple)
Weight (gr)	BC-D2X	40
	BC-D3X	62
	BC-BUT	13
	BC-LCDA	116
	BC-LCD10555	111
Operating Temperature		0-60 °C

Electrical Values		
Operating Voltage	24VDC(18-30VDC) (Over X-CB1 and X-CB2 socket)	
Power Consumption	BC-D2X	0.24W for 24VDC (Min.)* 0.72W for 24VDC (Max.) **
	BC-D3X	0.3W for 24VDC (Min.) * 0.8W for 24VDC (Max.) **
	BC-BUT	0.3W for 24VDC (Min.)
	BC-LCDA	0,9W for 24VDC (Max.)***
	BC-LCD10555	
Button Inputs	All operating panels (for 1 output)	0.07W for 24VDC
Button Outputs	All operating panels (for 4 output)	2W for 24VDC (Normal) 3W for 24VDC (Maximum)
External Voltage Output (X-POW)	24V(Maximum 200mA)	
Gong Output(X-SPE)	0,5W	

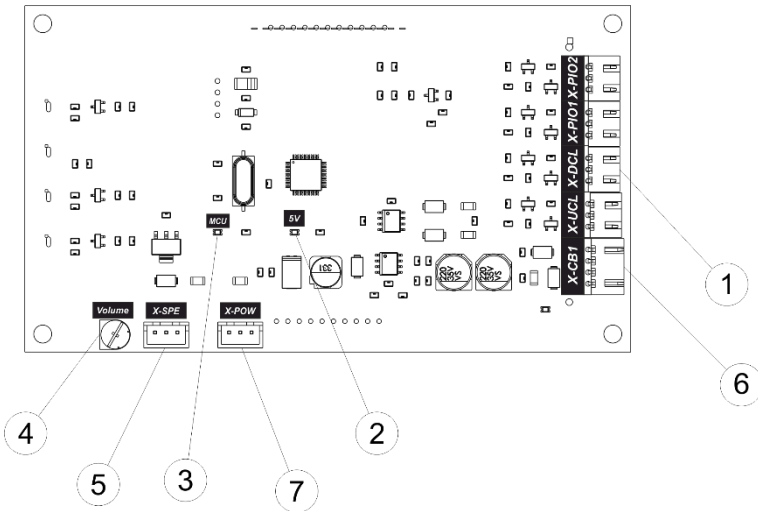
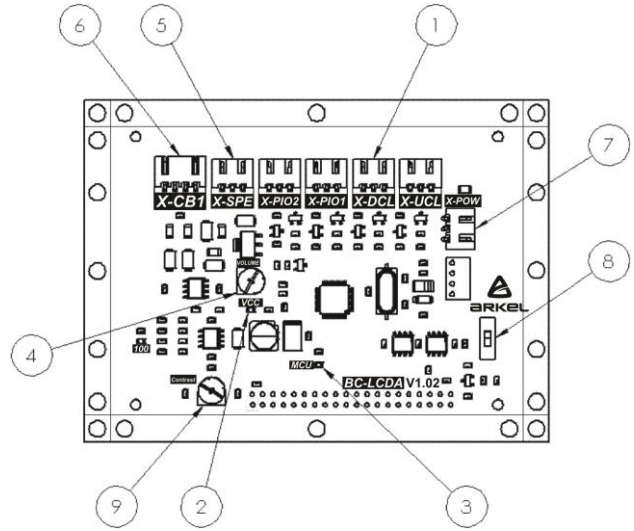
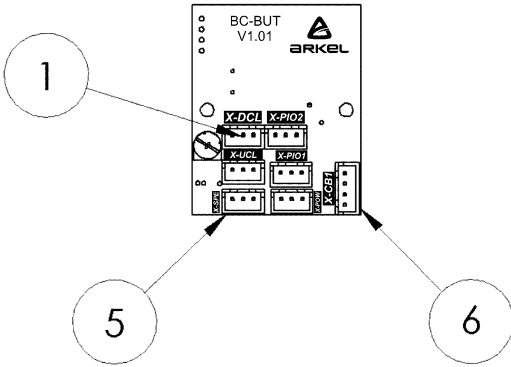
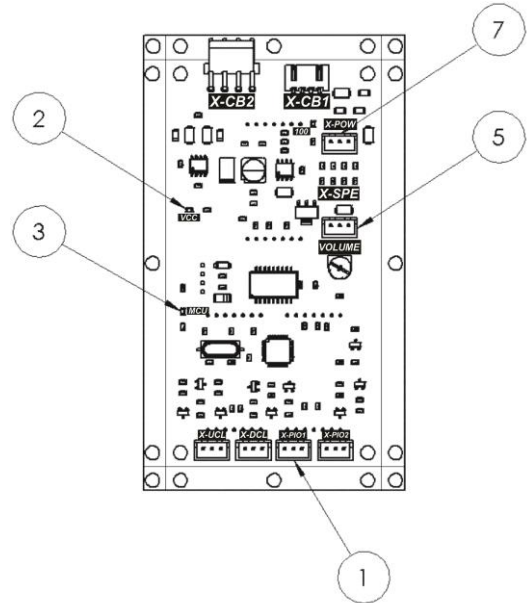
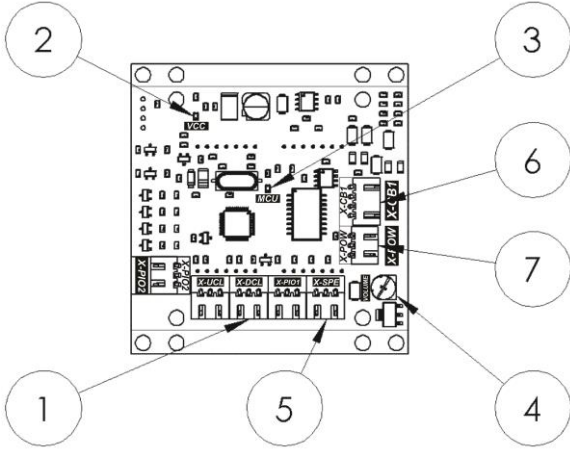
### Features:

- 2 call button input
- 2 programmable input-output sockets
- Gong output
- Adjustable button sound
- Horizontal or vertical mounting direction option for BC-LCDA
- Programming and update over CANbus.

#### Note:

- \* No entry on button inputs, LED outputs are off, nothing on display screen
- \*\* Entry on button inputs, LED outputs are on, all LEDs are lit on display screen.
- \*\*\* LCD backlight on, there is entry, LED outputs are on.

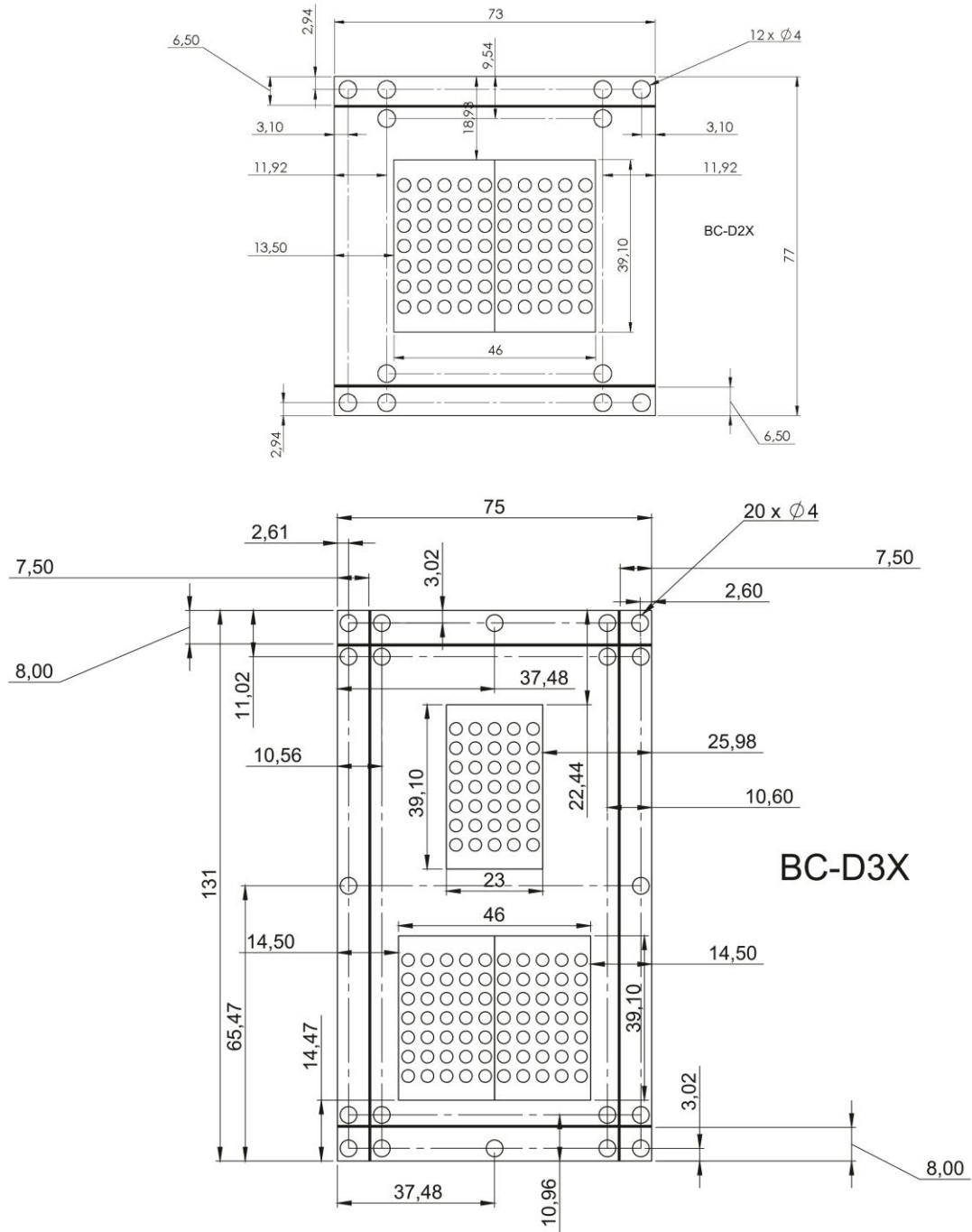
2. Overview

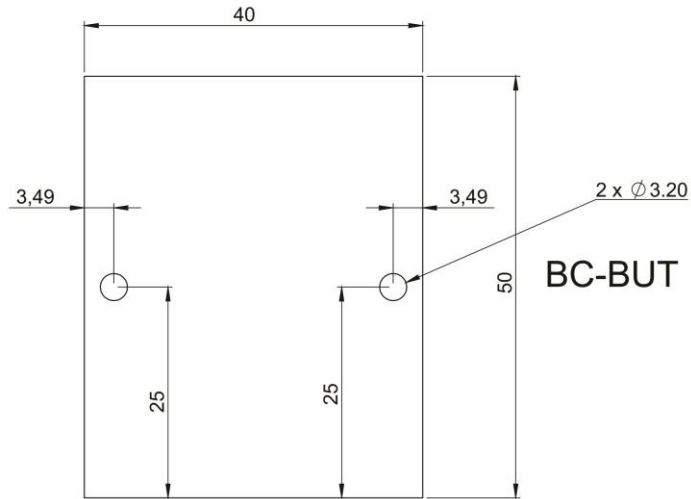
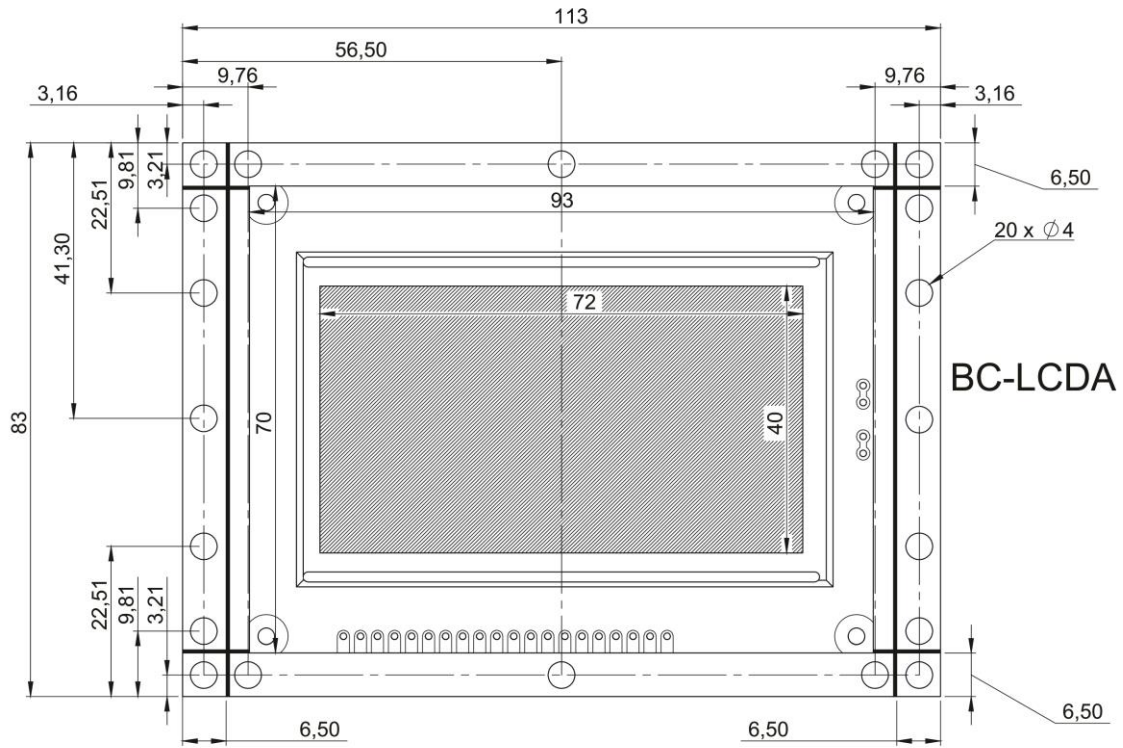


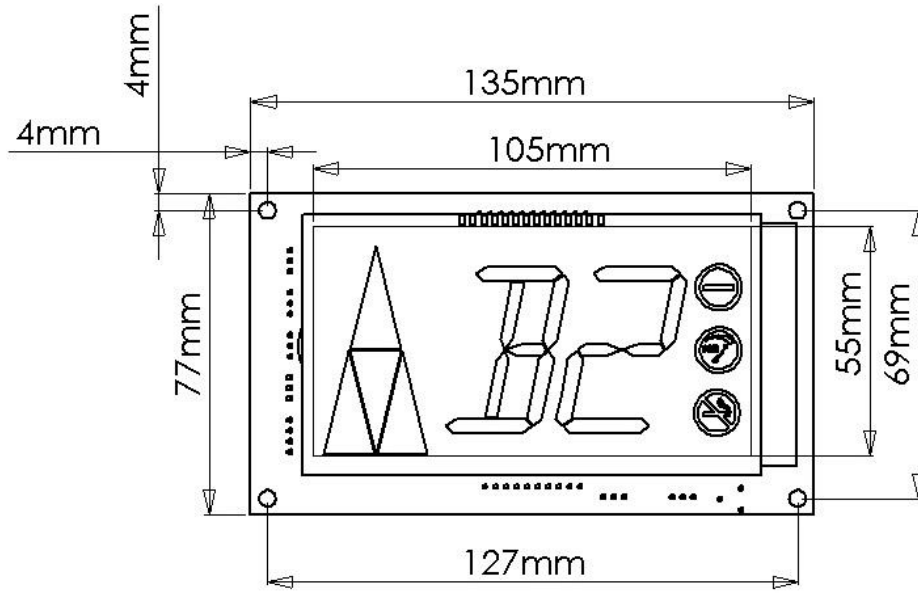
1. Up-Down call button sockets, programmable input-output sockets
2. 5V LED
3. CPU LED
4. Volume potentiometer
5. Speaker connector (X-SPE)
6. CANbus connector (X-CB1, X-CB2)
7. External 24V output socket (X-POW)
8. BC-LCDA horizontal/vertical selector dipswitch
9. BC-LCDA Contrast potentiometer

### 3. Dimensions

Detailed dimensions (in mm) are shown below:

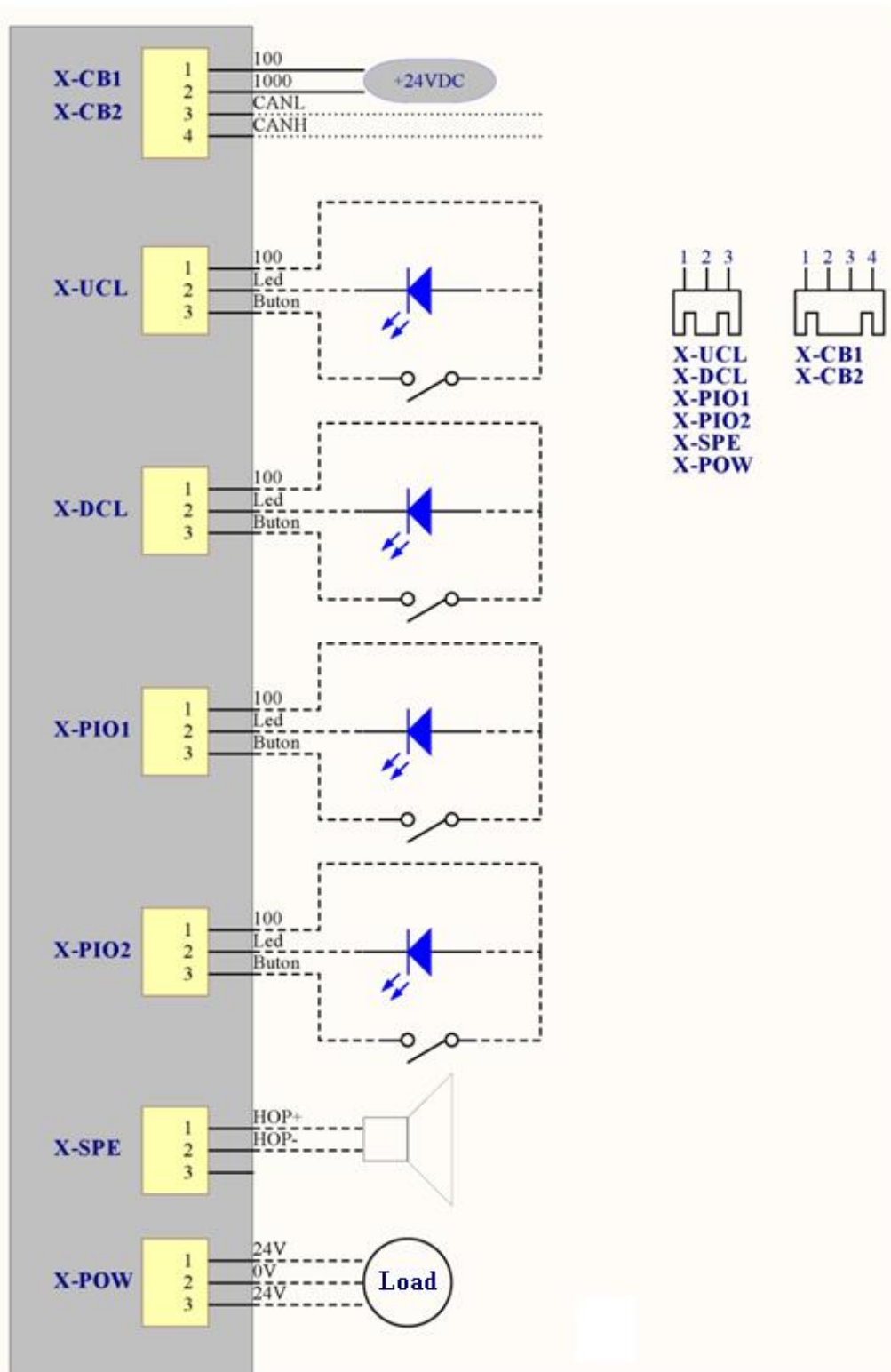






BC-LCD10555

### 4. Electrical Connections of Operating Panels



## 5. Settings

### 5.1. Volume Potentiometer

The gong sound can be adjusted by using Volume labeled potentiometer.

### 5.2. Contrast Potentiometer on BC-LCDA

LCD contrast can be adjusted by using Contrast potentiometer on BC-LCDA.

### 5.3. Direction Selecting (Horizontal/Vertical) of BC-LCDA

With the dip switch on BC-LCDA, it is possible to use the display horizontally or vertically. To use the display horizontally, dipswitch should be set to “H” position and to use the display vertically, dipswitch should be set to “V” position.