

CPC

Car Operating Panel Controller Board



Hardware Manual

1 CPC Technical specifications

Environmental	
Dimensions in mm (W × L × D)	96 × 146 × 15
Weight	84 gr.
Working Temperature	0-60 °C

Electrical	
Supply Voltage	24VDC(18-30VDC)
Power Consumption	0.35W, Min. @24VDC supply* 1.40W, Max.@24VDC supply **
Button Inputs	0.12W,24VDC (for a single button)
Button Outputs	0,48W, 24VDC (for a single button) 16.8W, 24VDC (totally for 24 buttons)
Programmable Outputs (PT1)	Open Collector (Max. 200mA)
Programmable Inputs (PI2,PI3,PI4)	+24VDC Active High
Emergency Lighting	Optional 12/24V Output (Max. 200mA)
Gong Voice Output	0,5W(?R) Speaker
External Supply (BAT-1000)	12V(Max. 200mA)

Notes:

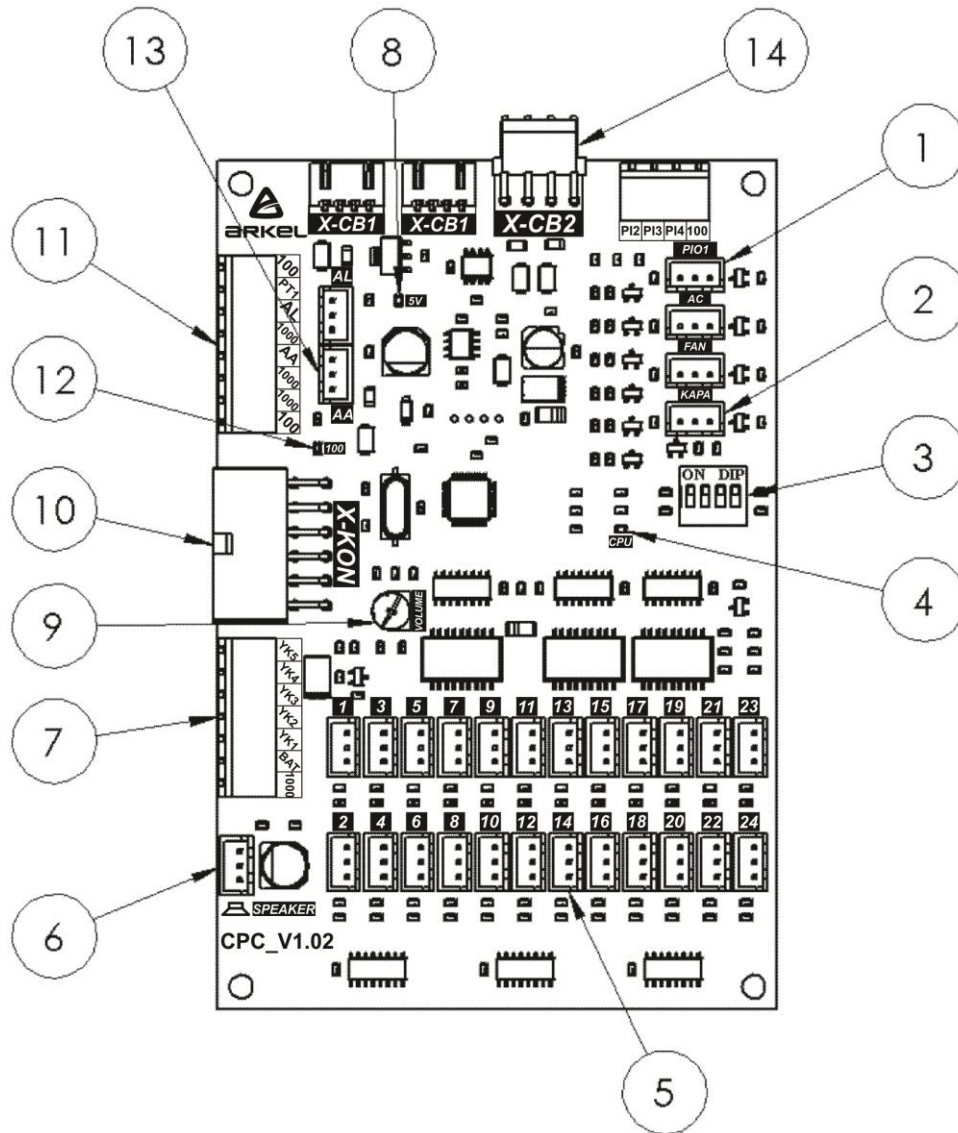
* No recorded call, all Leds are passive, display is inactive

** Recorded active calls, Leds are lighting.

2 Functional specifications

- 24 Button support with lighting
- Handle entire car functionality
- Can bus socket for the cabinet display
- Socket for IBC connection
- Cascaded connection up to 73 button with A and B side doors
- 3 programmable inputs and output
- Gong sound output and volume control
- 5 spare connections.
- 12V Output
- Programmable transistor output.

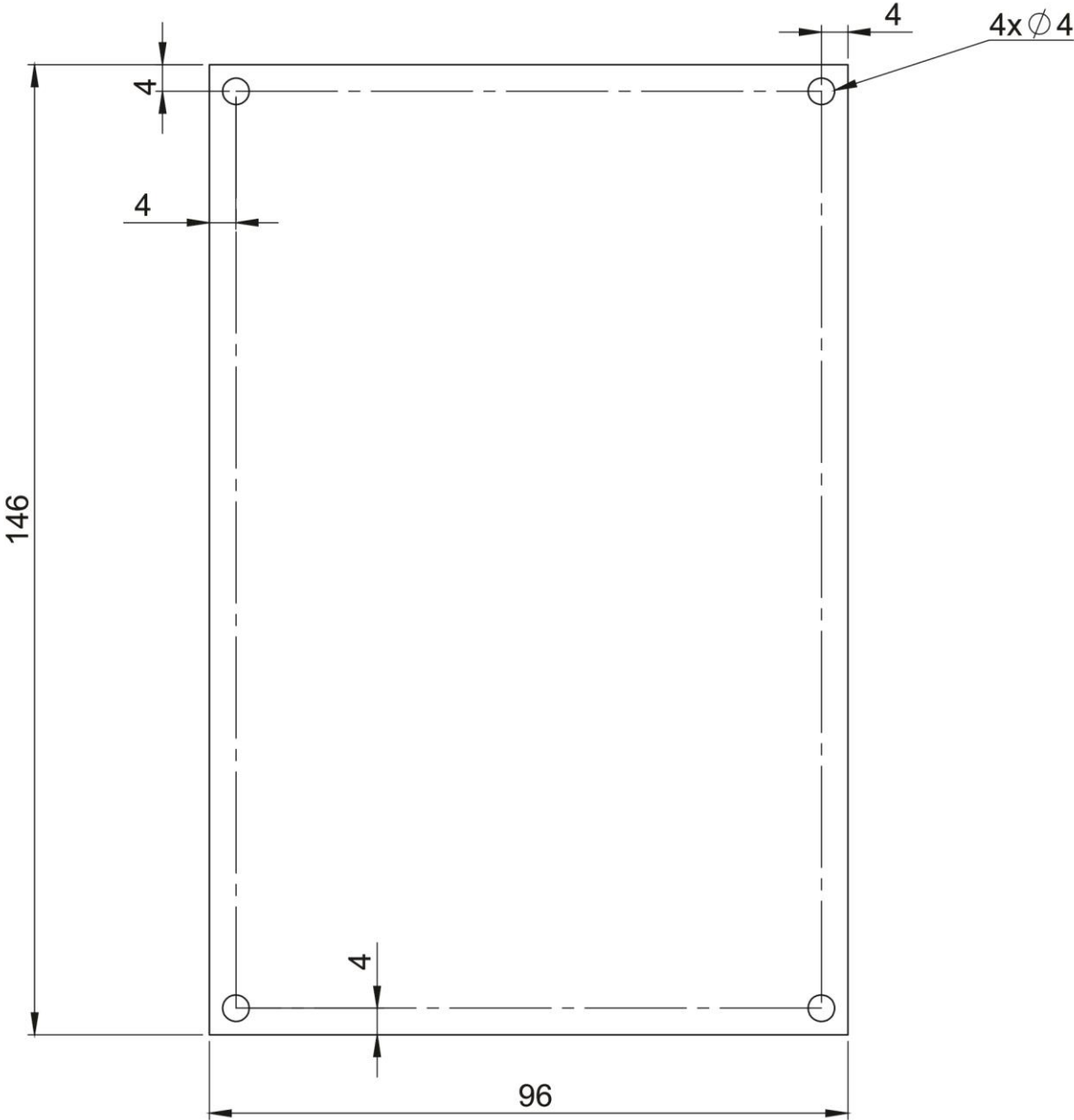
3 CPC Board Overview



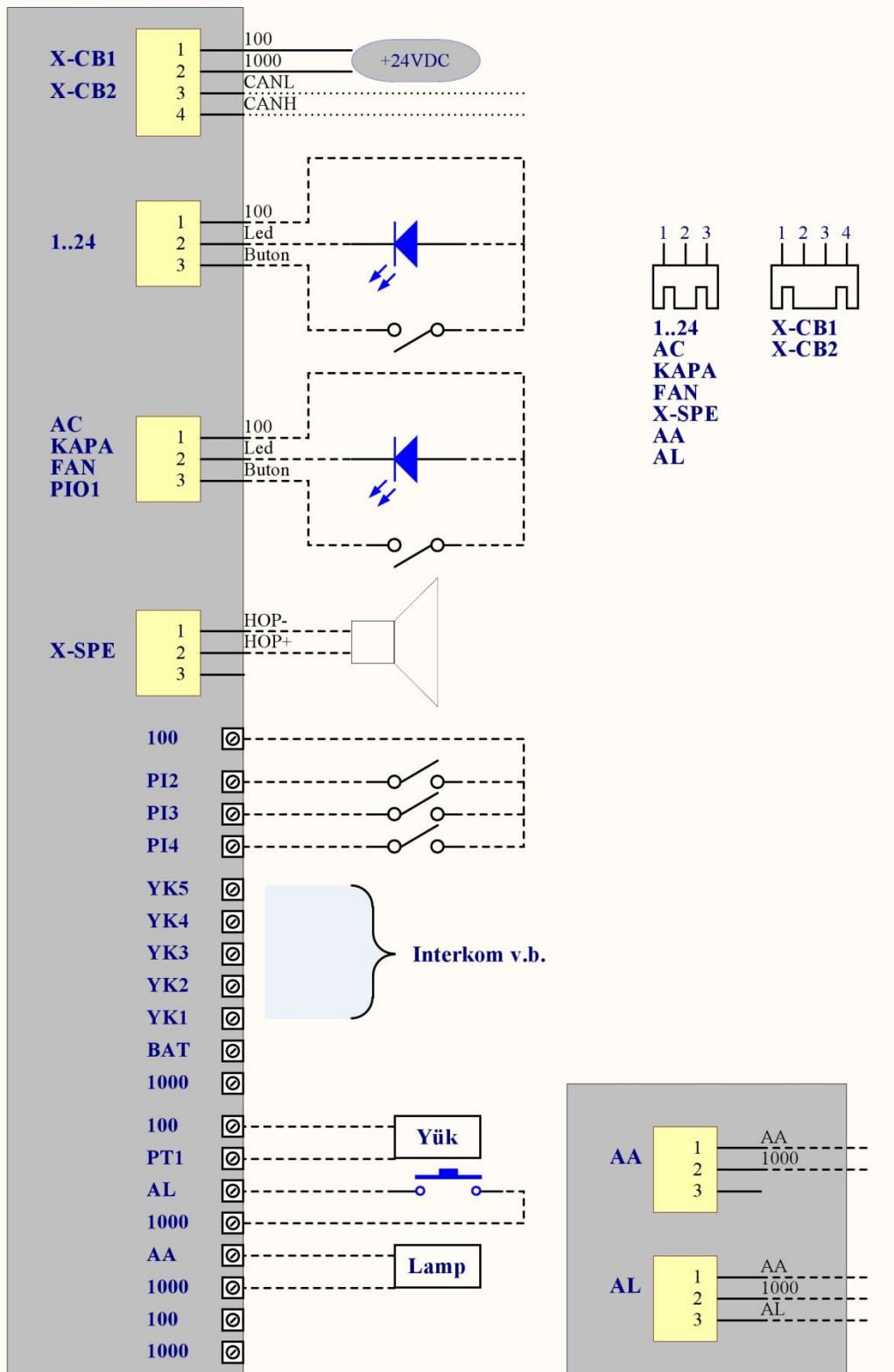
1. Programmable button input. (through Arcode and Arem devices)
2. Door open, door close and air ventilation button sockets.
3. CPC configuration settings (0-23,24-47,48-64 floors and Door A or Door B)
4. CPU indicator led
5. Call button and button lighting (for 24 buttons)
6. Speaker connection
7. Spare connections (for intercom etc.), 12V supply output
8. 5V Supply indicator
9. Speaker volume adjustment trimpot
10. IBC connection port
11. Programmable transistors, emergency lighting, emergency button, 100-1000 terminals
12. 24V Supply indicator
13. emergency lighting, emergency button terminals
14. CANBus connectors (2 big size, 1 small size)

4 Dimensions

Detailed dimensions (in mm) are shown below:



5 CPC Common Connections Diagram



6 CPC Board Indicators and meanings

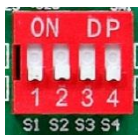
LED	Color	Cadence	Reason
CPU	Green	Normal blink	Micro controller runs in normal mode.
		Fast blink	Micro controller runs in boat loader mode.
		Off	Problem with the micro controller
5V	Green	On	Power good
		Off	Power off
			If 100 Led is On then a problem with internal power supply.
100	Green	On	24V Supply is good
		Off	No 24V supply

7 CPC Adjustments

7.1 Volume Adjustment

It is possible to adjust gong sound volume with trimpot on the CPC board. To increase volume trimpot is rotated in counterclockwise. To decrease sound volume clockwise rotation is required.

7.2 CPC Configuration Settings



CPC boards are configured via 4 independent dip switches those functions are listed in following table.

S1	S2	Configuration
0	0	CPC1, 0-23 Floors
0	1	CPC2, 24-47 Floors
1	0	CPC3, 48-72 Floors
1	1	Undefined.

S3	S4	Configuration
0	0	Undefined
0	1	B Side door call buttons
1	0	A Side door call buttons
1	1	A and B side door call buttons